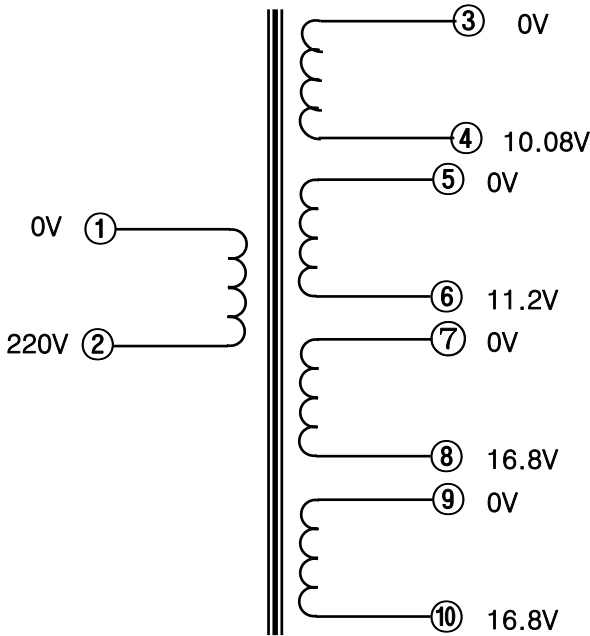


## SY0908-2490A1 R-core Power Transformer

Schematic of SY0908-2490A1 R-core Power Transformer:



**P/N:** SY0908-2490A1  
**Power:** 30VA  
**Rated input:** 220V/50Hz  
**Rated output:** (load)9V/0.45A, 10V/0.45A, 15V×2/0.7A  
**Insulation resistance:** ≥500MΩ  
**Insulation strength:**  
 Primary-Secondary: 3750V/2mA/5S  
 Secondary-Secondary: 1500V/2mA/5S  
 Primary-Core: 3750V/2mA/5S  
 Secondary-Core: 1500V/2mA/5S  
**Insulation ranking:** Class B  
**Temperature rise:** ≤65℃  
**Lead wire:** Primary: 200mm,  
 Secondary: 130mm,

Dimension of SY0908-2490A1 R-core transformer:

Dimension (mm)	A	78
	W	73
	X	41
Mounting (mm)	E	68
	F	48
	G	4
Weight (Kg)	0.57	

